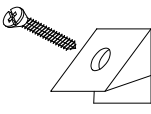
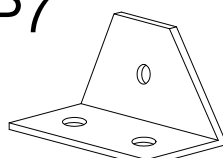
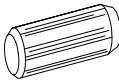
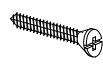
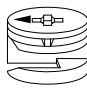
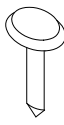
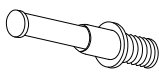

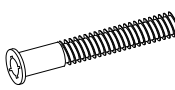
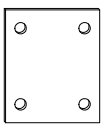
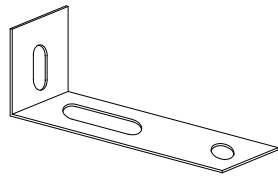

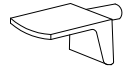

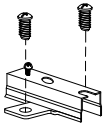
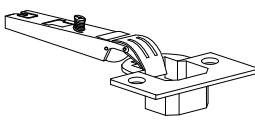
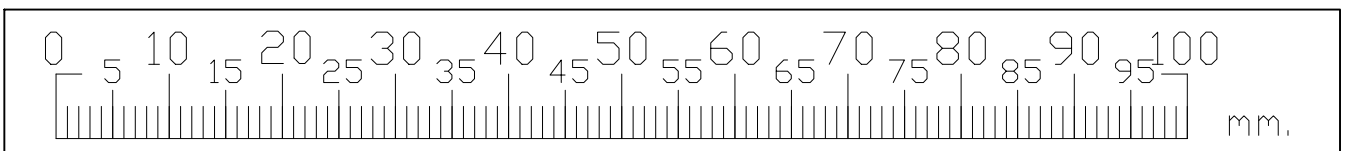


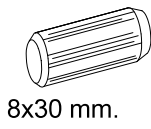
<b>F</b>		x20	<b>P7</b>		x8
<b>B</b>		8x30 mm. x26	<b>L418</b>		4x18 mm. x26
<b>C</b>		ø15 mm. x14	<b>CH</b>		x6
<b>D</b>		x14	<b>P</b>		x4
<b>E</b>		7x60 mm. x12			
<b>PST</b>		x2	<b>PST</b>		x1
<b>L416</b>		4x16 mm. x8	<b>R</b>		x4

<b>L15</b>		4x15 mm. x8
<b>H2E</b>		x4
<b>C0</b>		x4



1

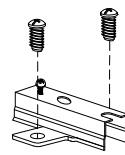
B



8x30 mm.

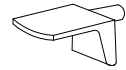
x16

H2E

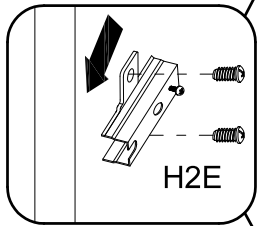
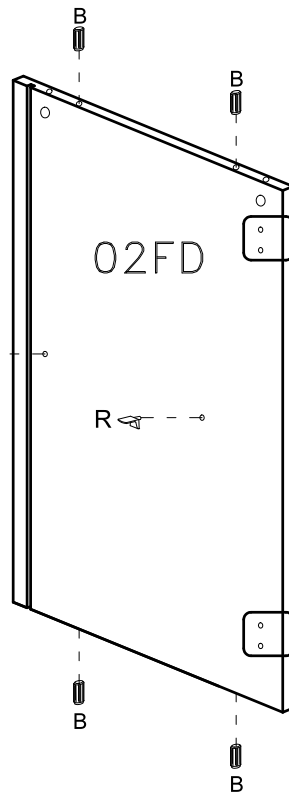
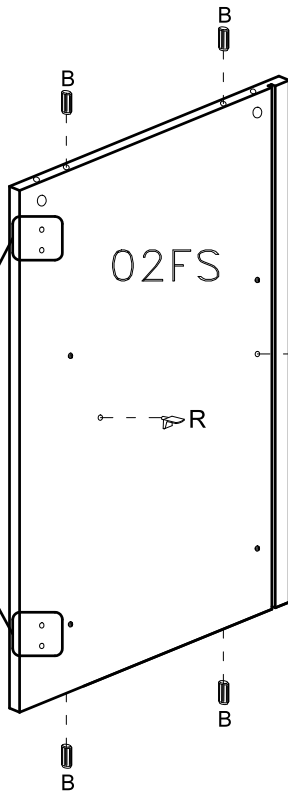
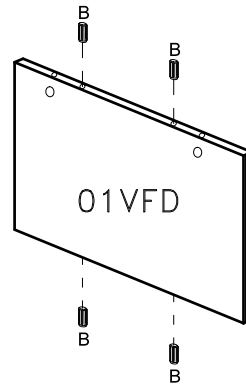
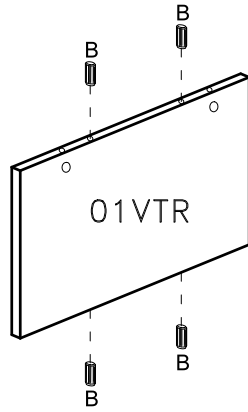


x4

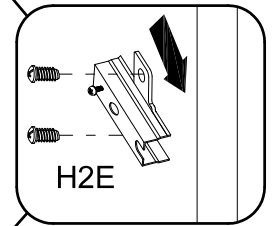
R



x4

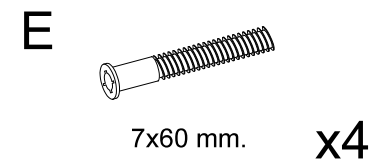
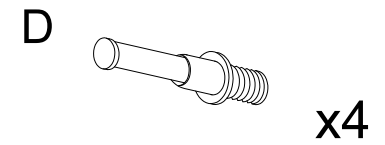
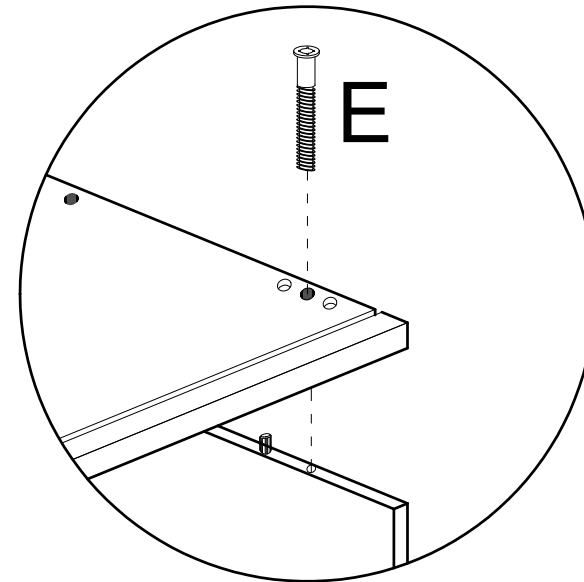
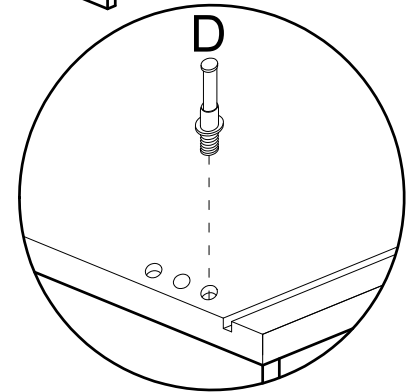
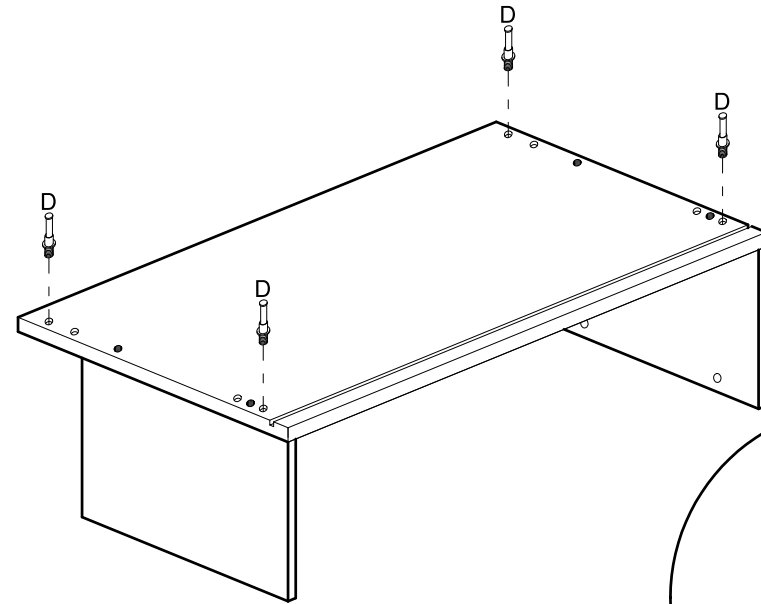
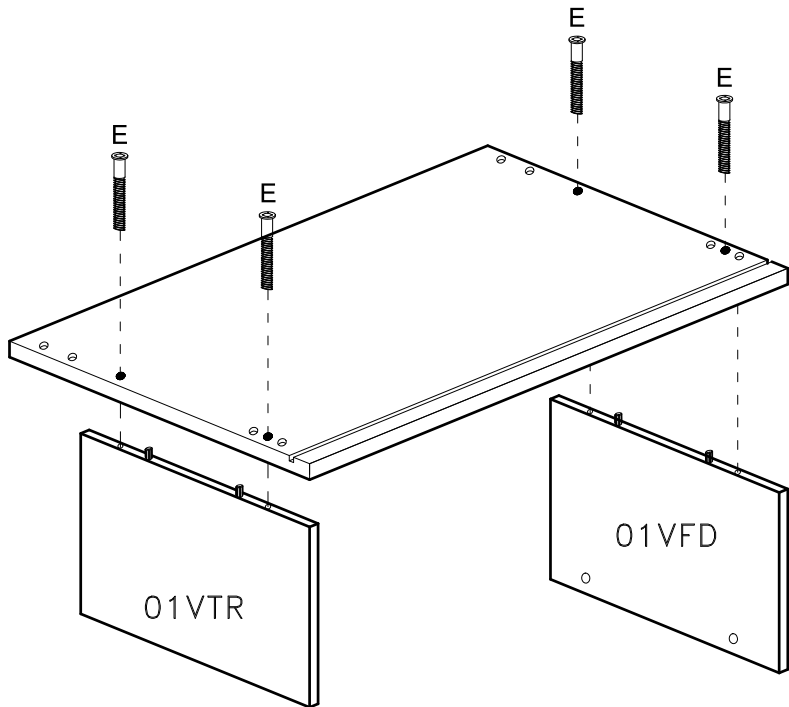
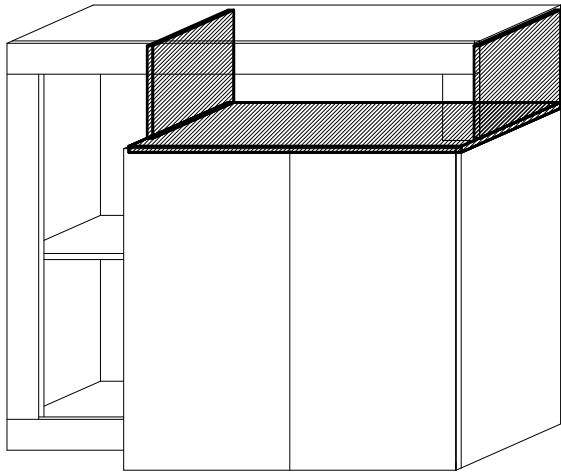


H2E

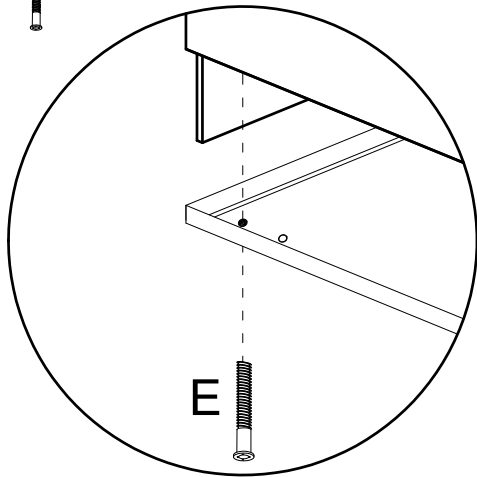
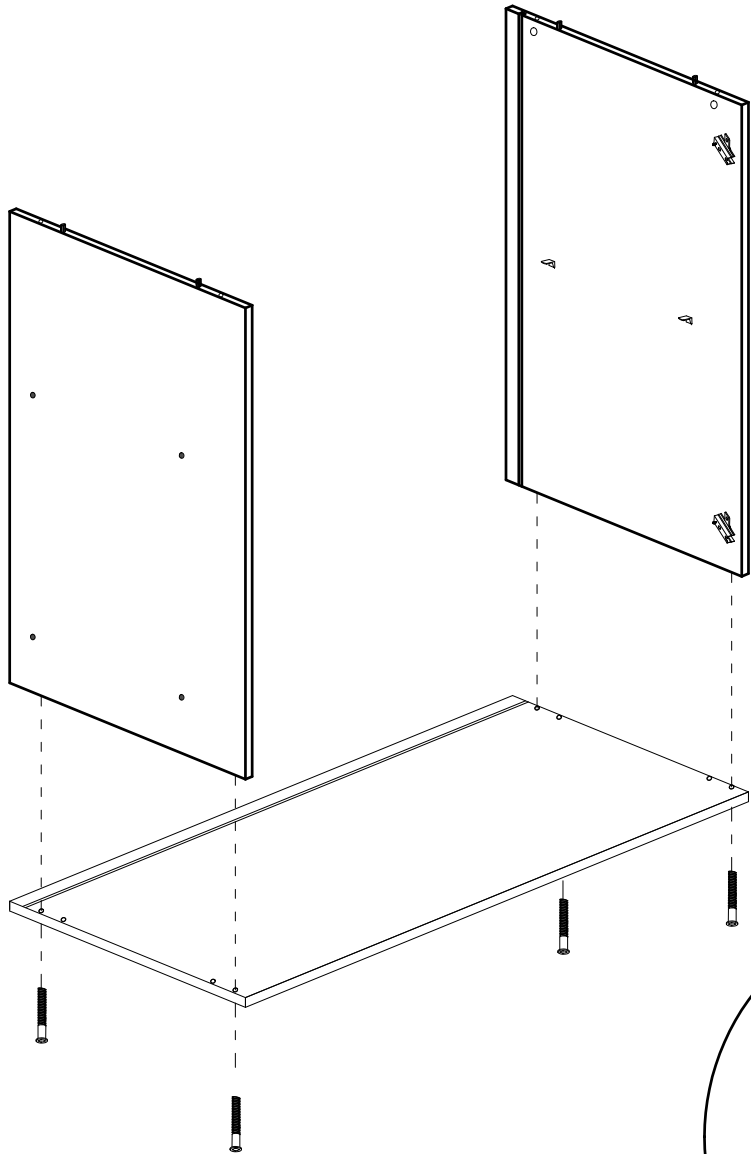


H2E

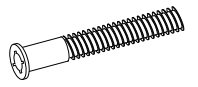
2



3

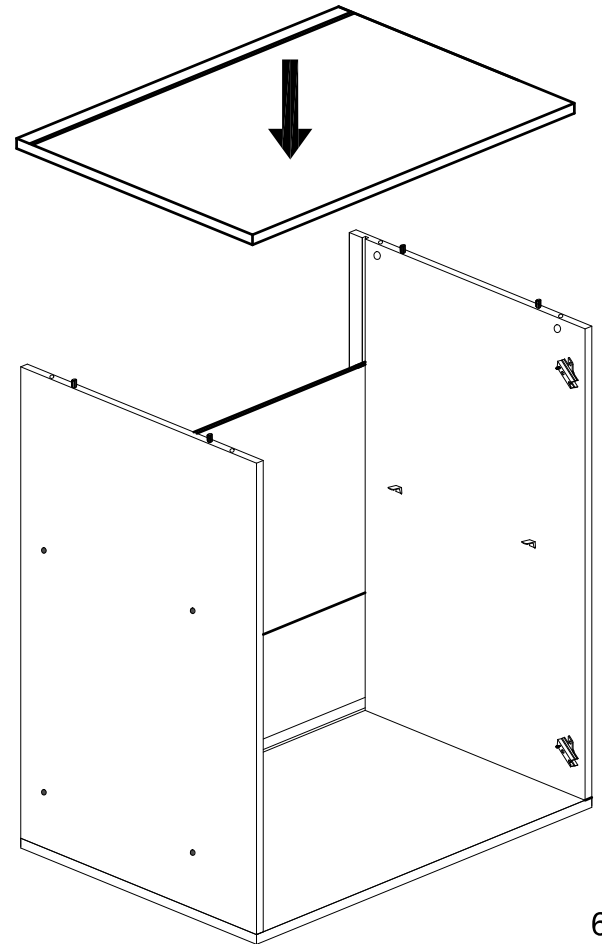


E

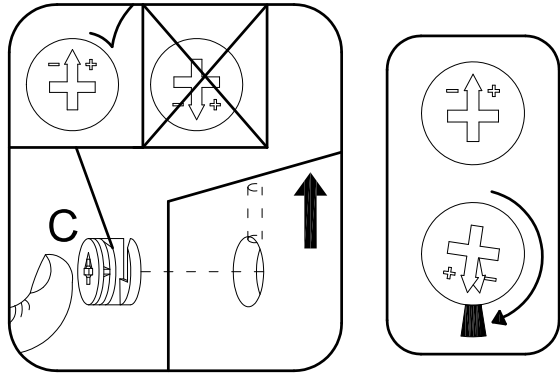


7x60 mm.

x4



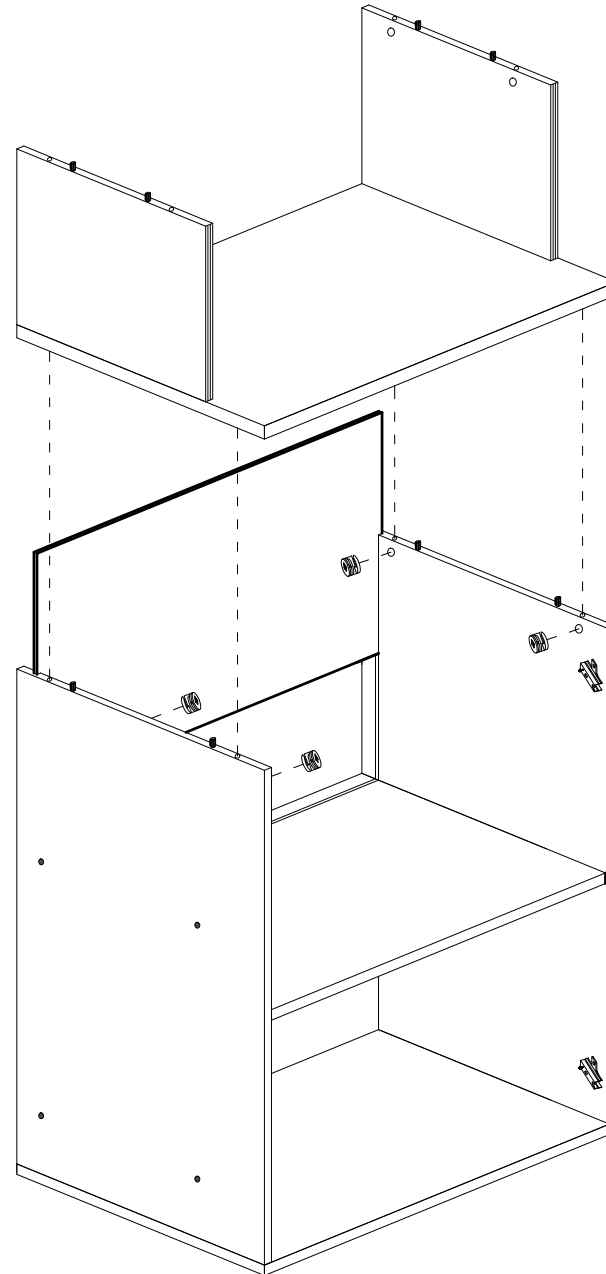
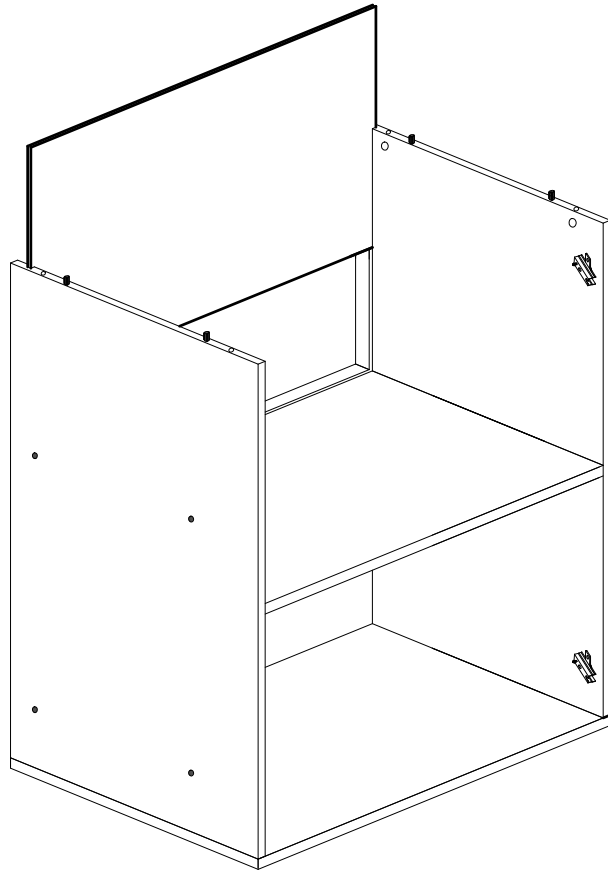
4



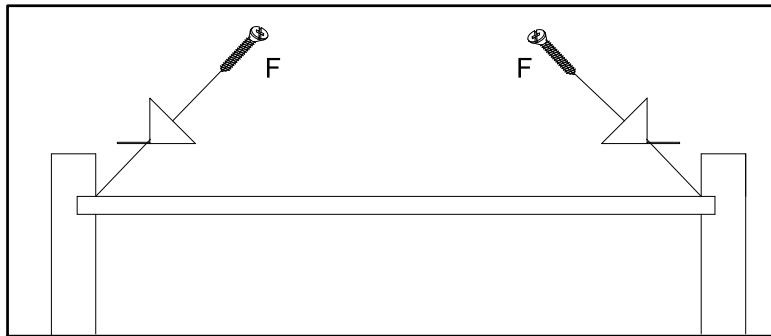
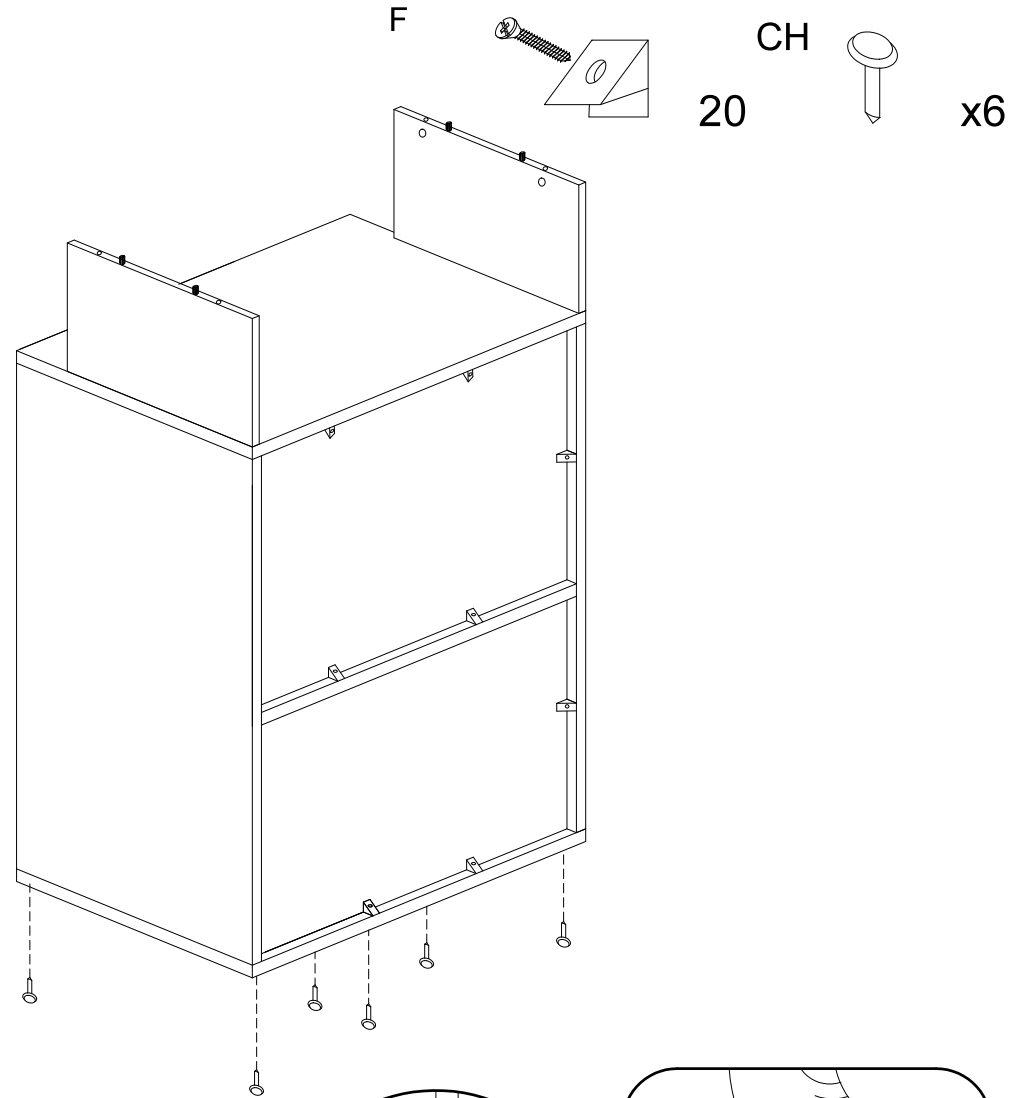
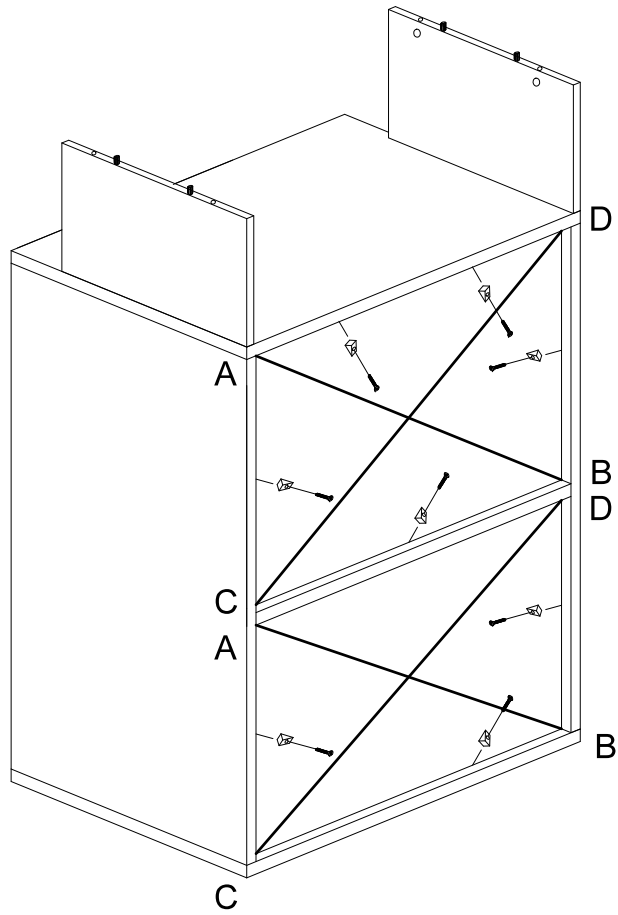
C



x4

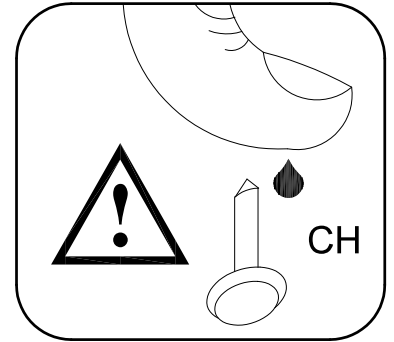
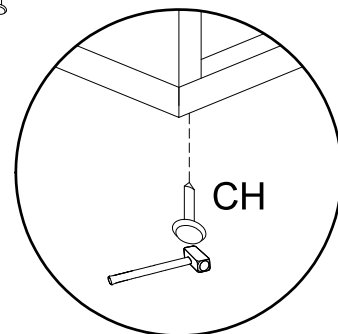


5



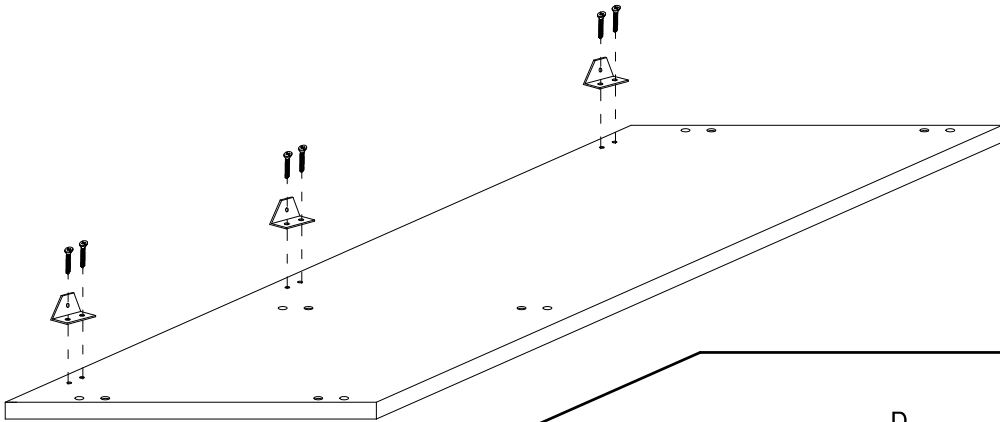
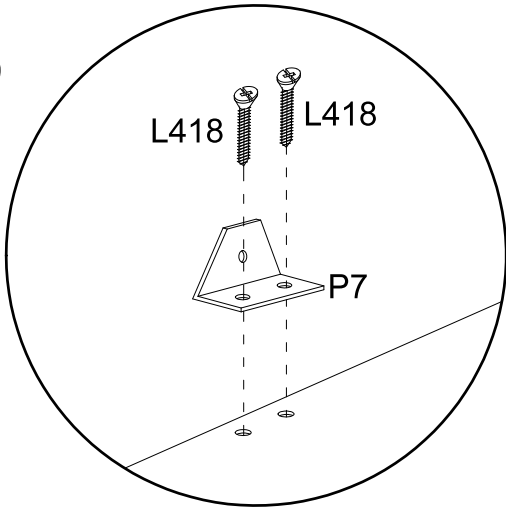
$AB=CD$

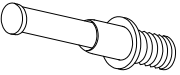
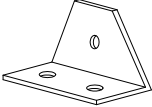
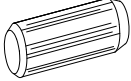

8/17

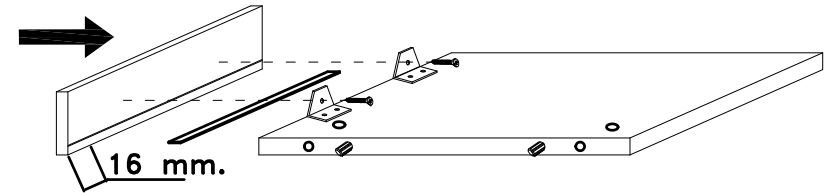
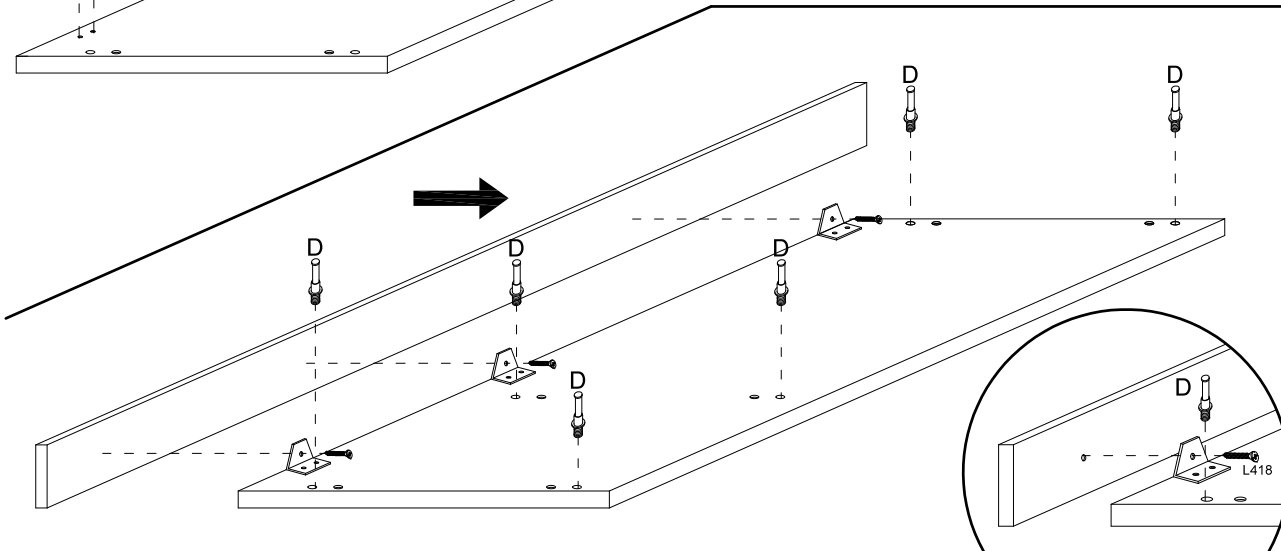
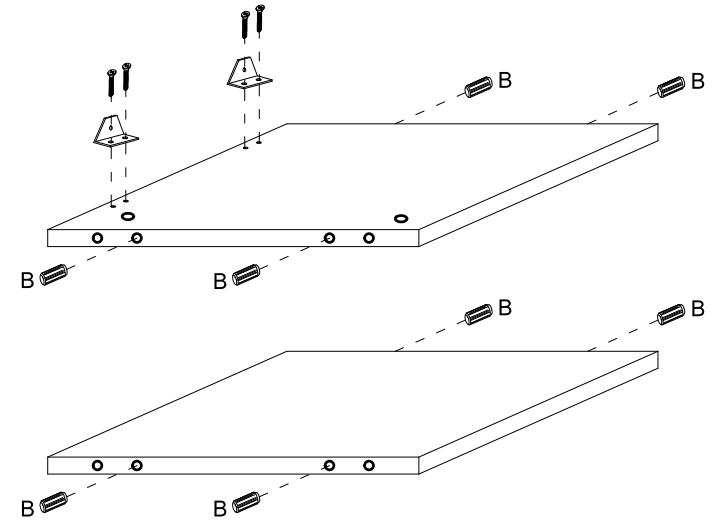




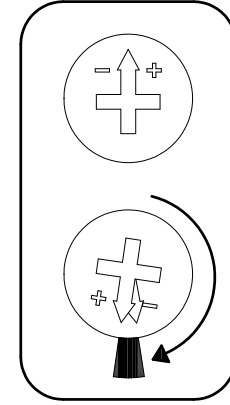
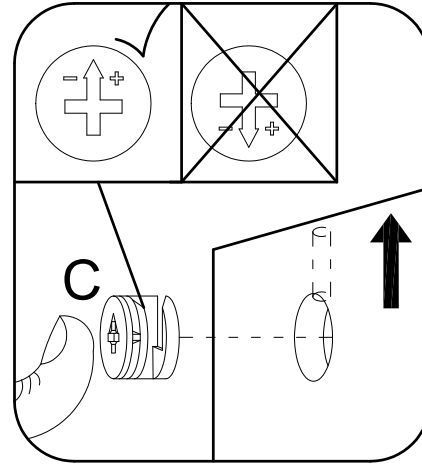
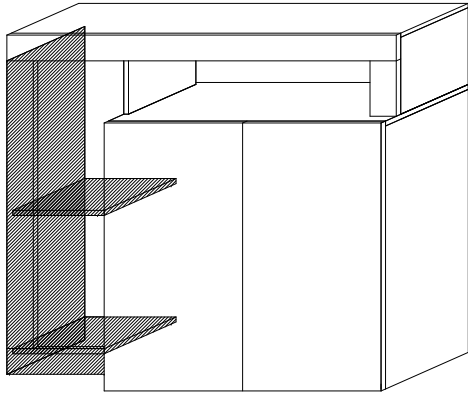
6




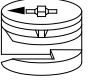
- D  x6
- P7  x5
- B  8x30 mm. x8
- L418  4x18 mm. x15

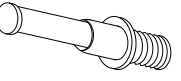


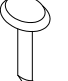
7

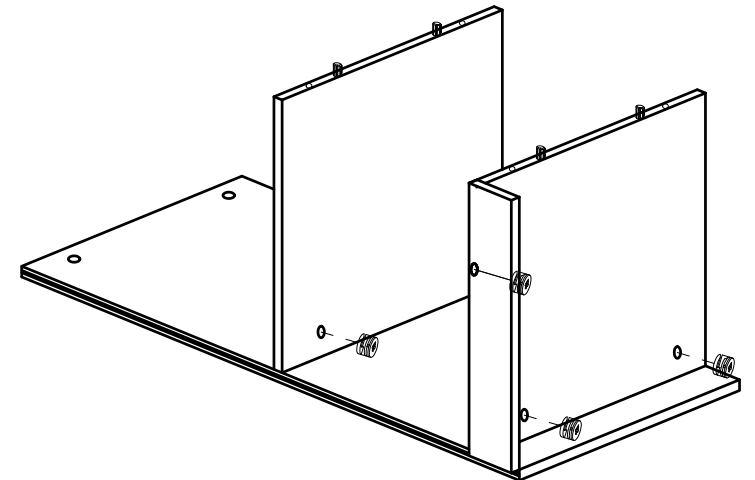
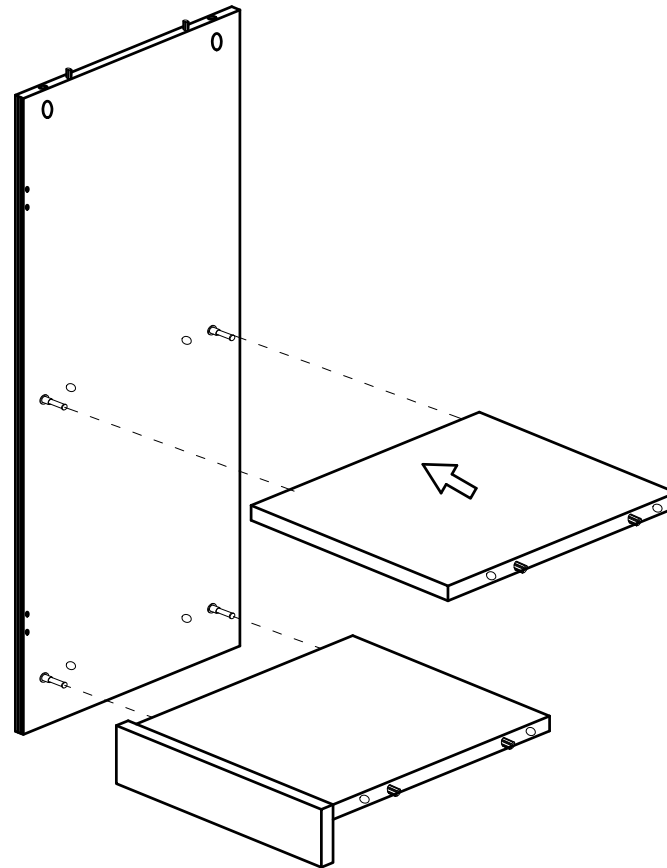
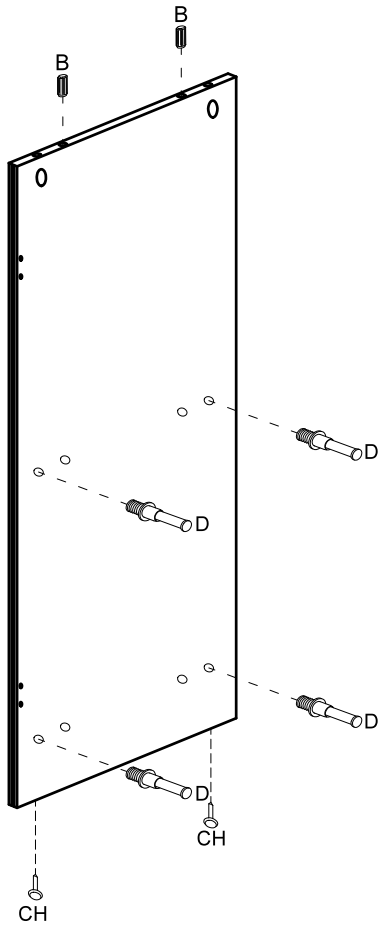


B  8x30 mm. x2

C  ø16 mm. x4

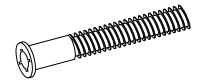
D  x4

CH  x2



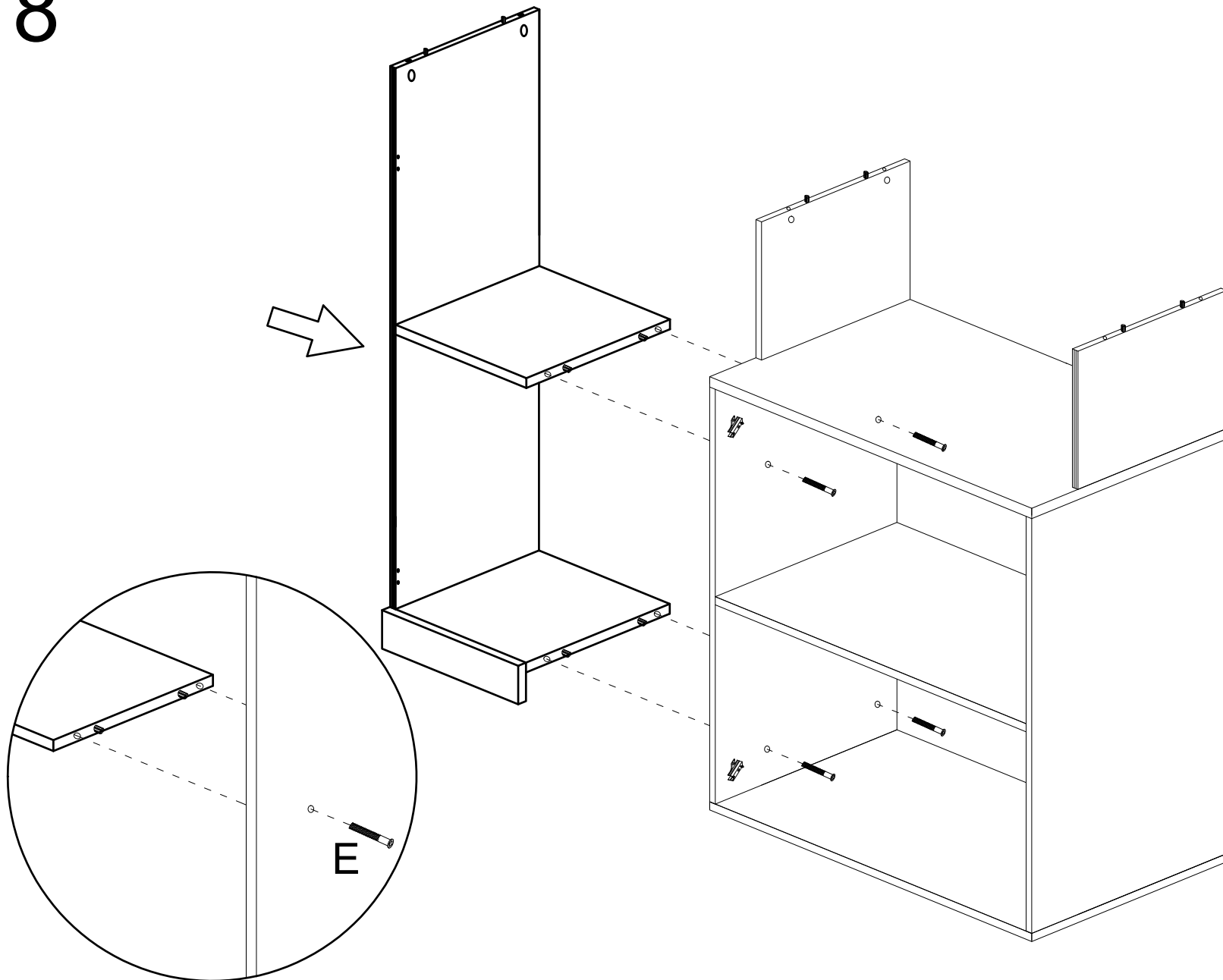
8

E

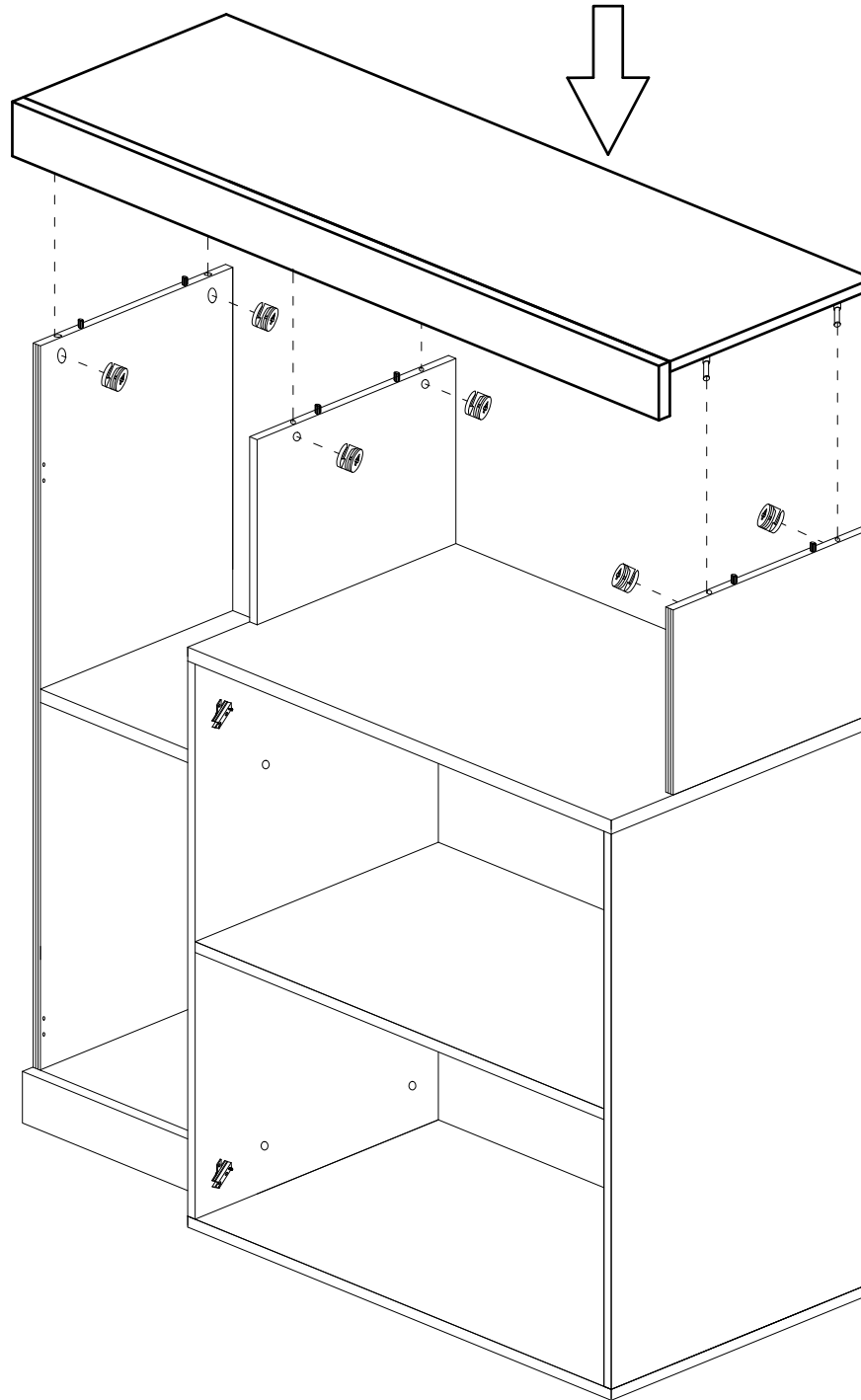
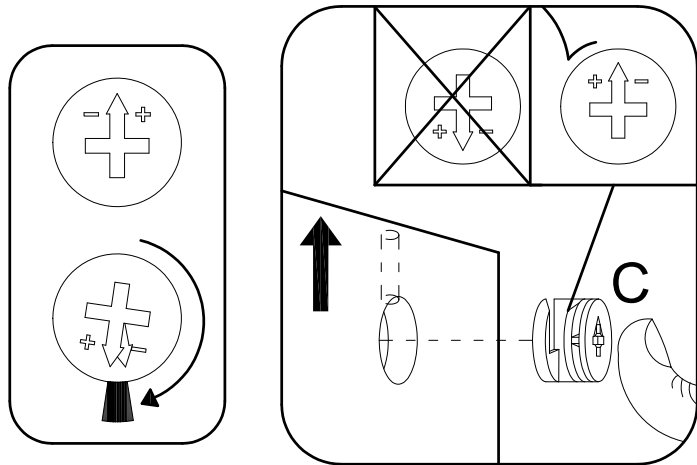


7x60 mm.

x4



9



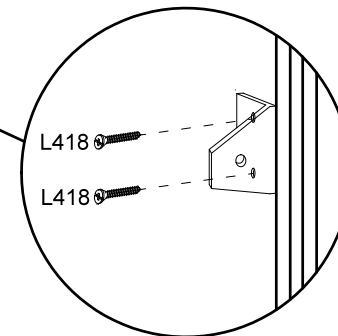
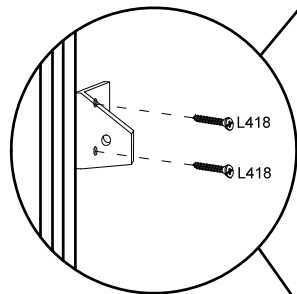
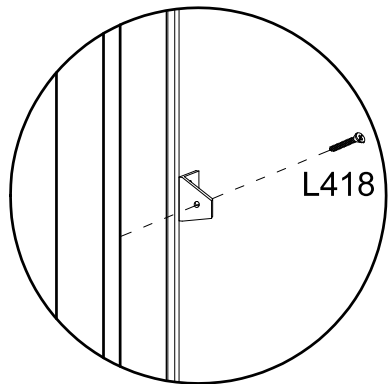
C



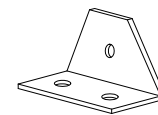
ø15 mm.

x6

# 10



P7



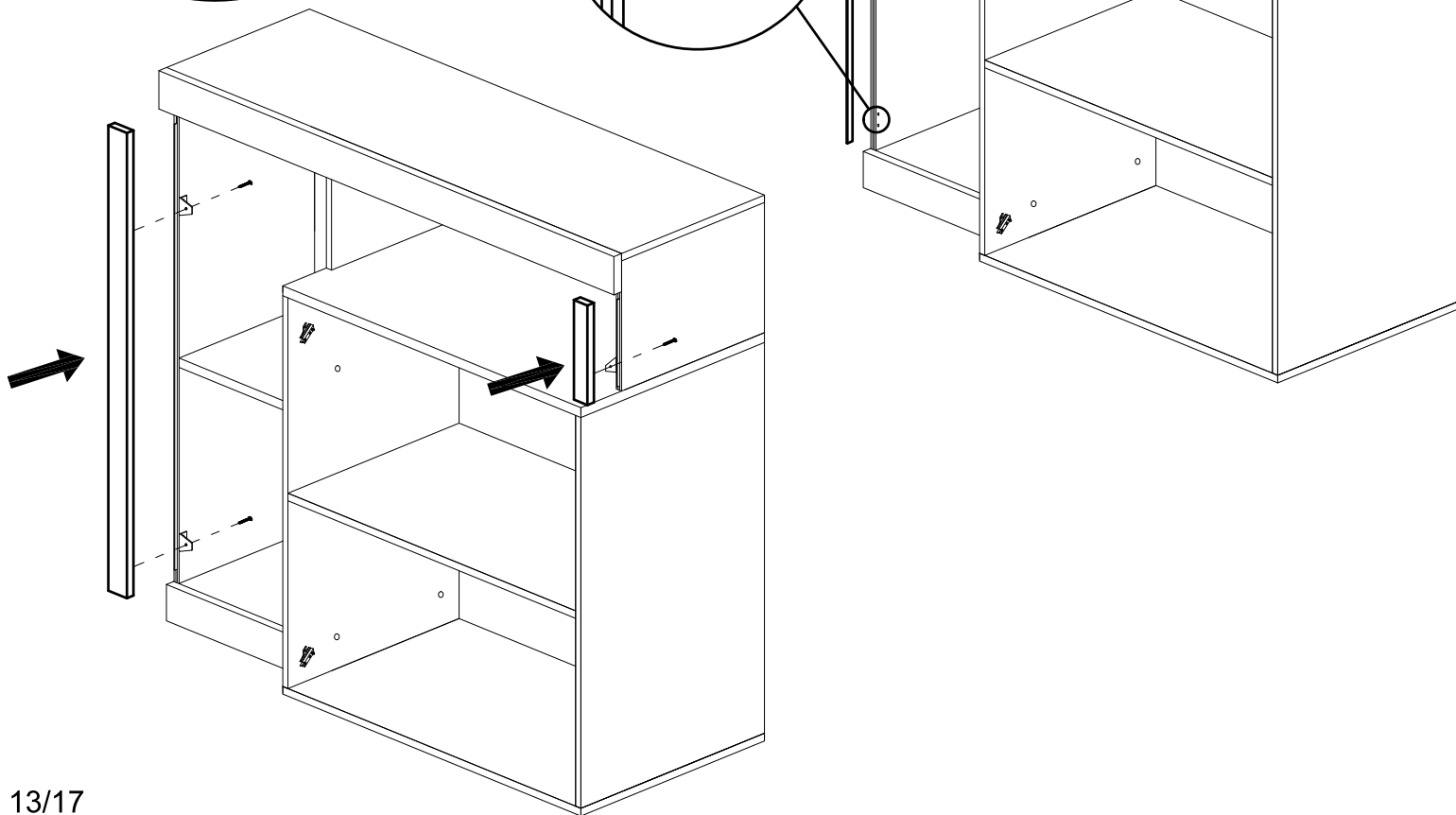
x3

L418

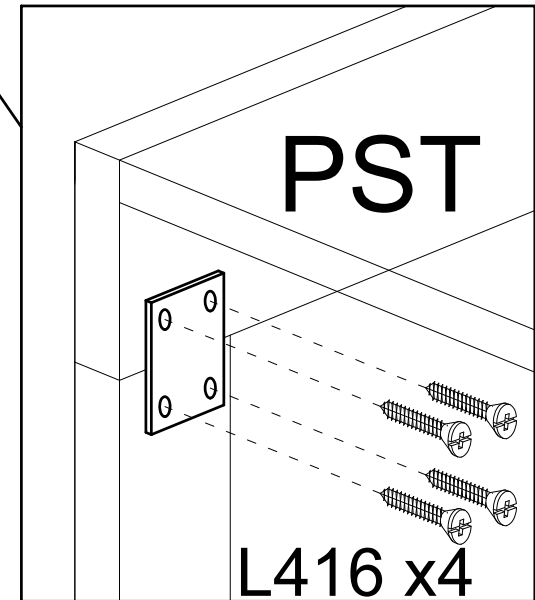
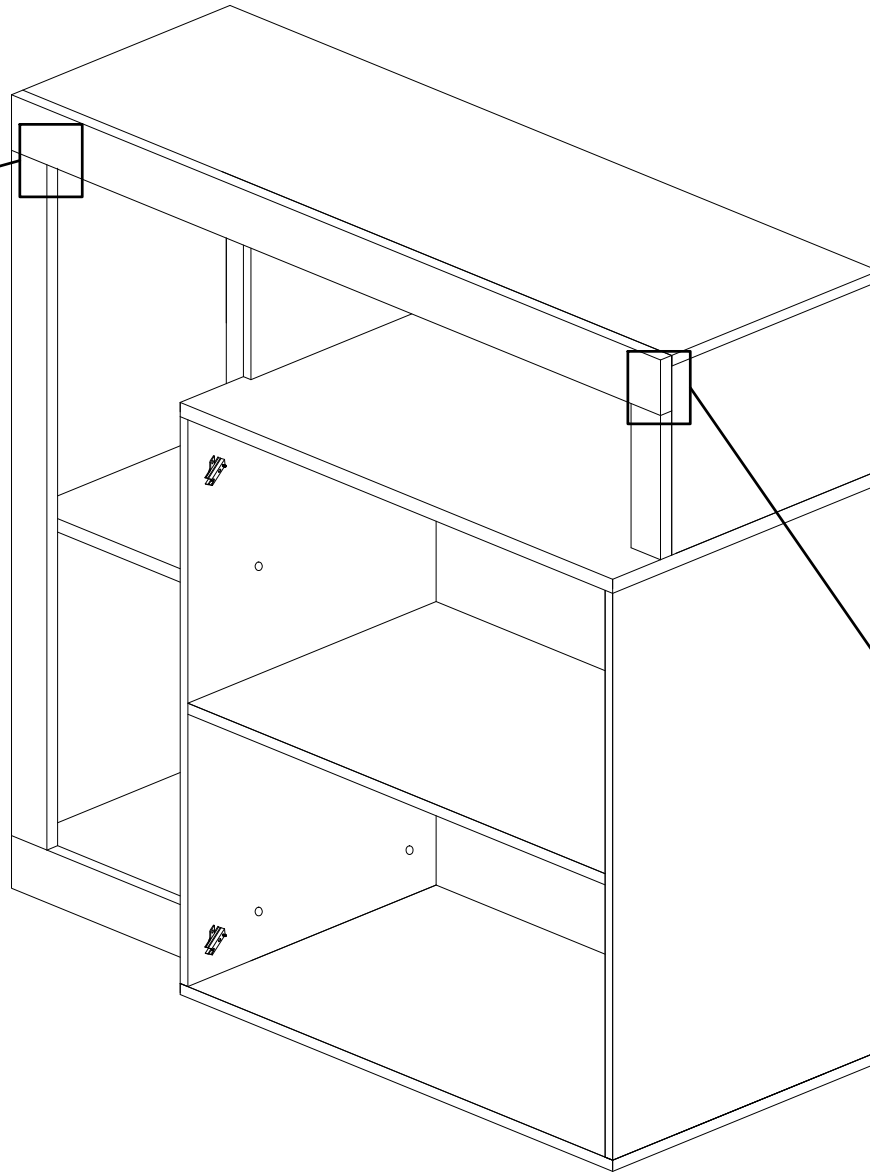
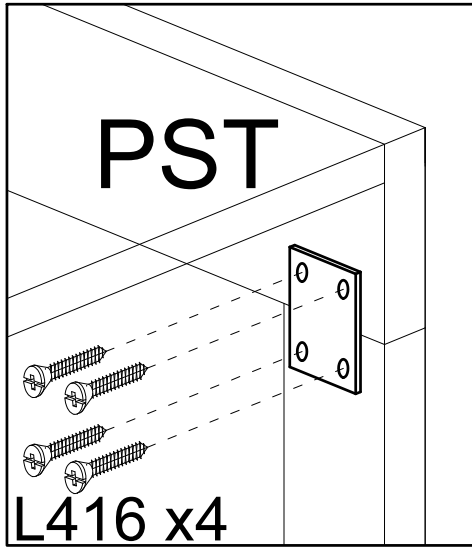



4x18 mm.

x9

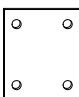


# 11



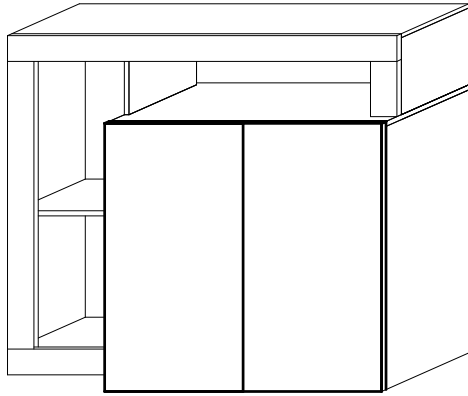
L416   
4x16 mm.


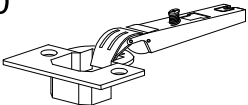

x8

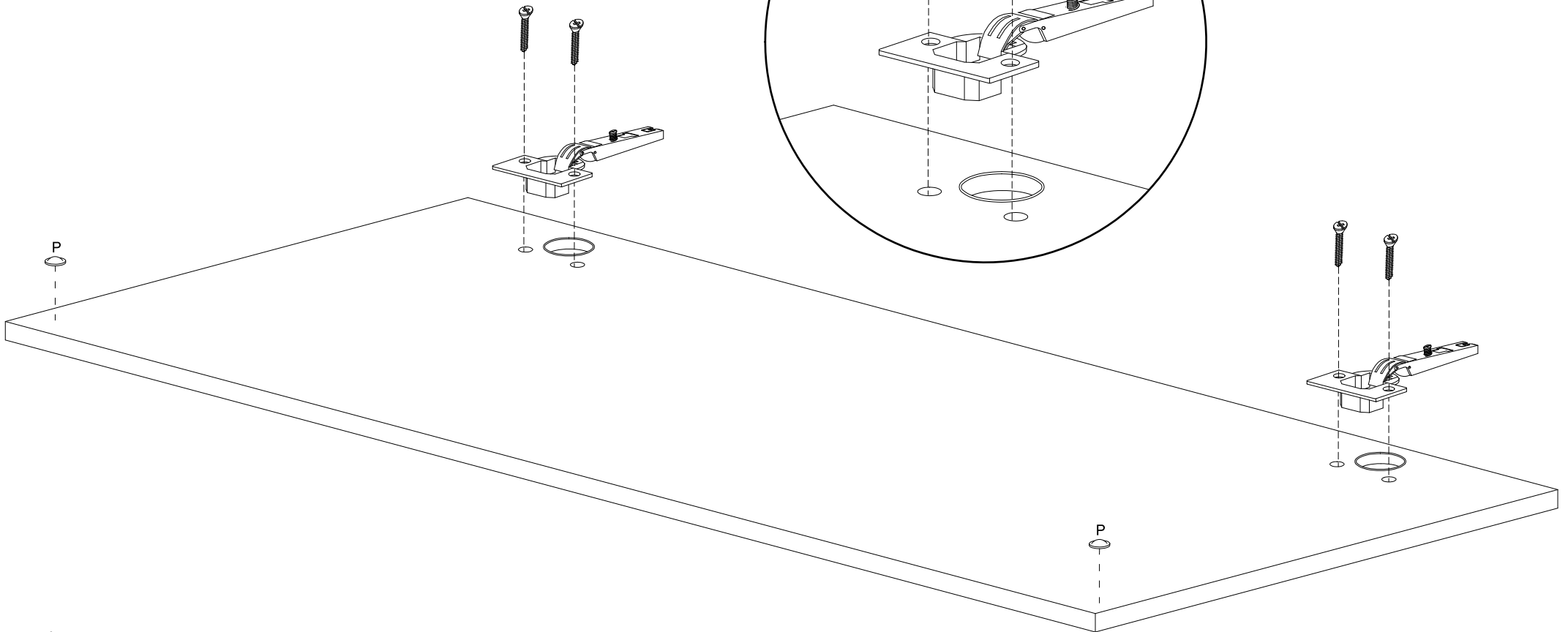
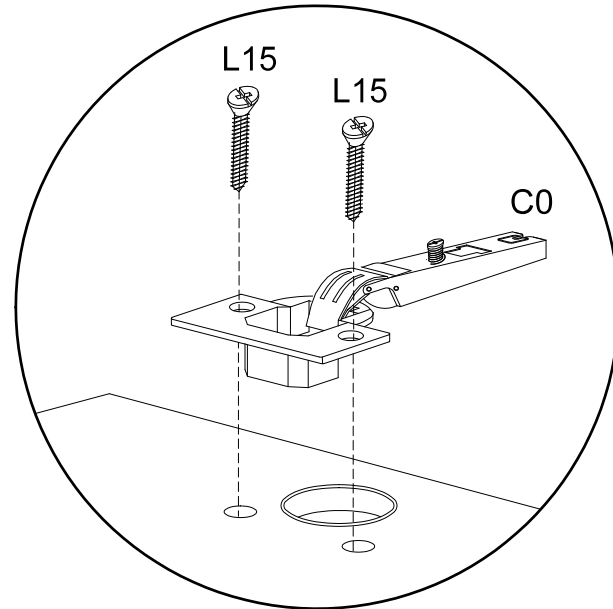
PST 

x2

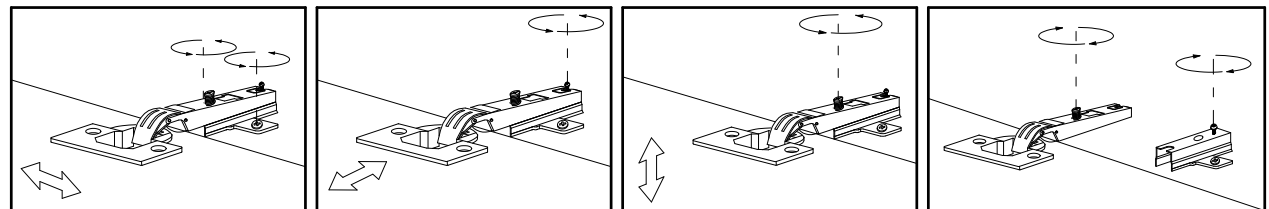
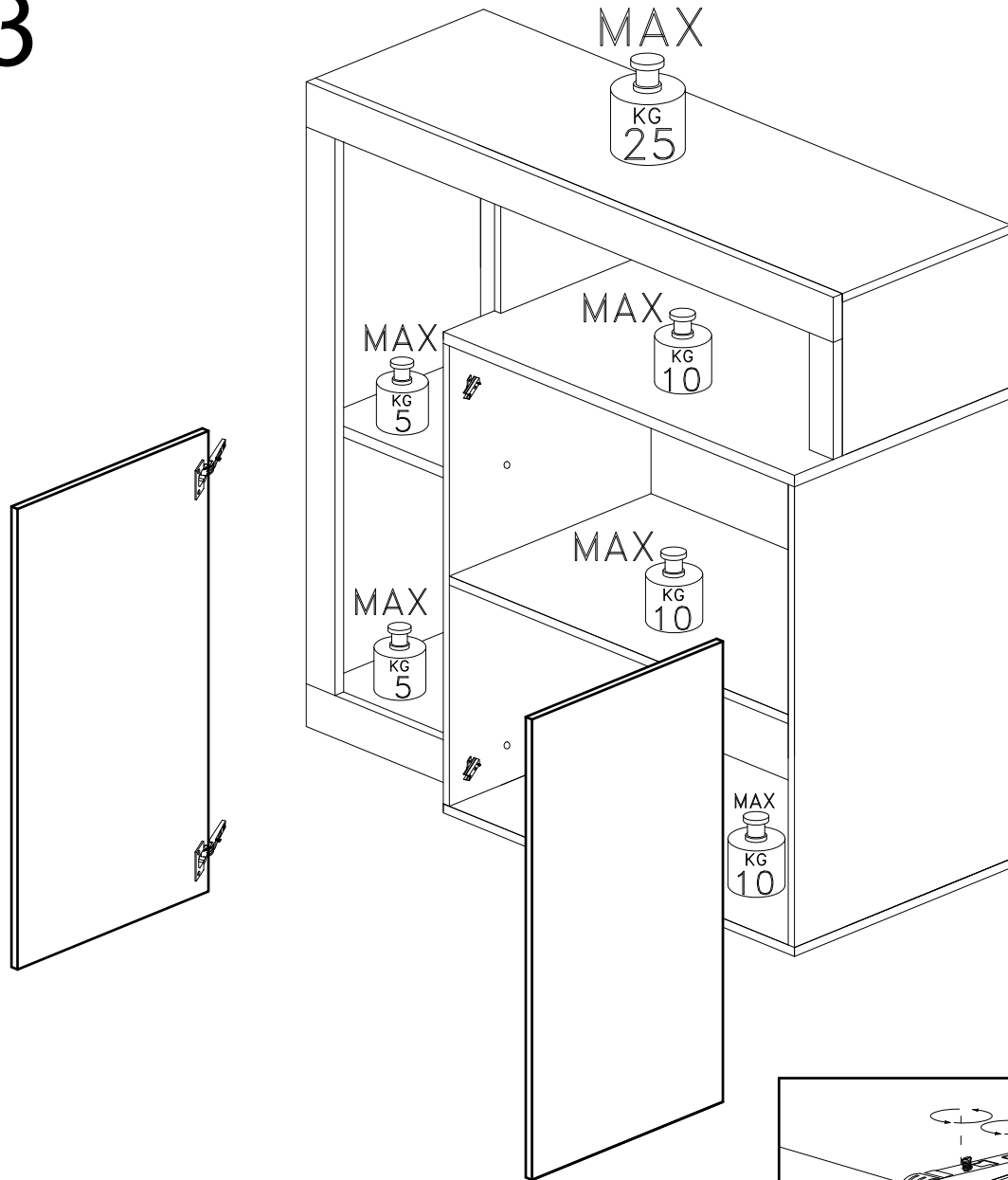
# 12



- L15  x8  
4x15 mm.
- C0  x4
- P  x4

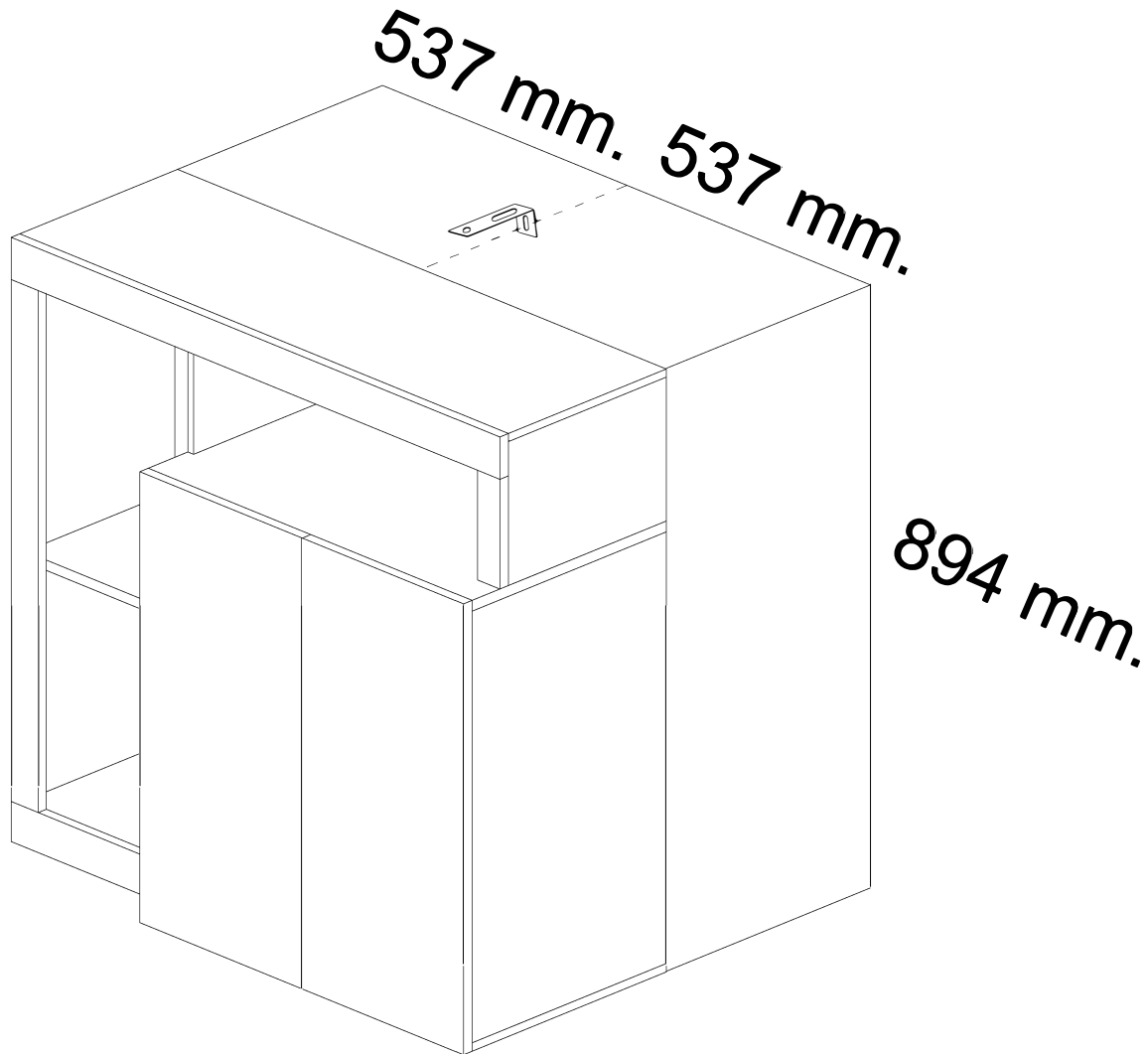
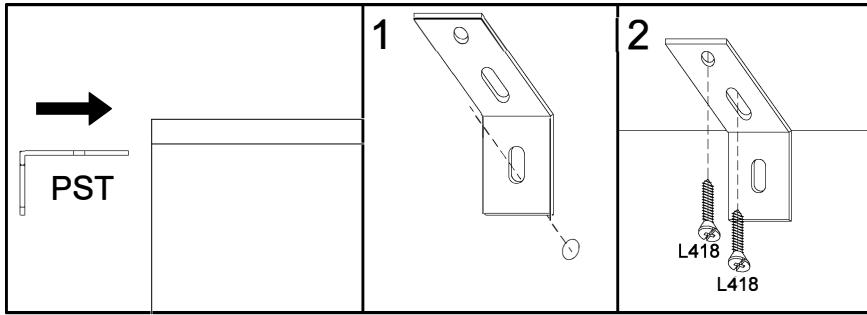


# 13





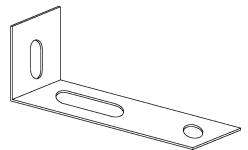
14



4x18 mm.



L418 x2



PST x1